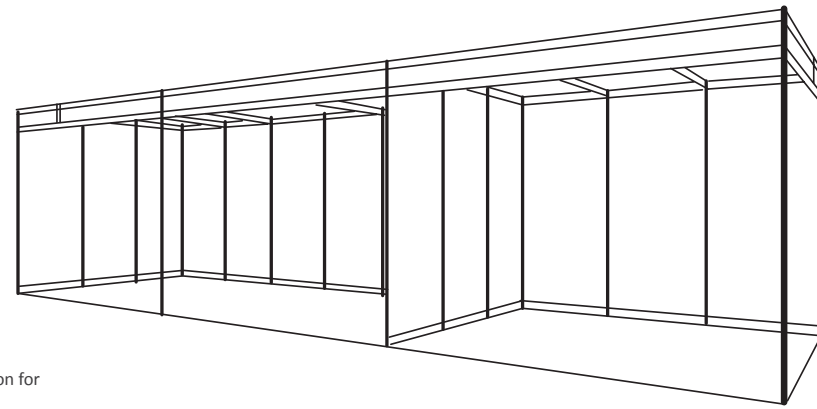


SPECIFICATIONS

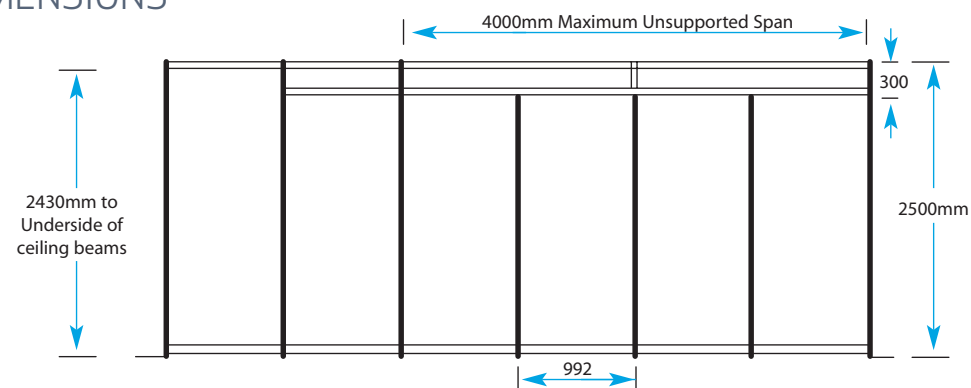
BASIC SHELL SCHEME

- Name Panel
- Fascia
- Ceiling Beams
- Modular Wall Panels in white
- Intermediate support on all frontages in excess of 4m
- Corner support

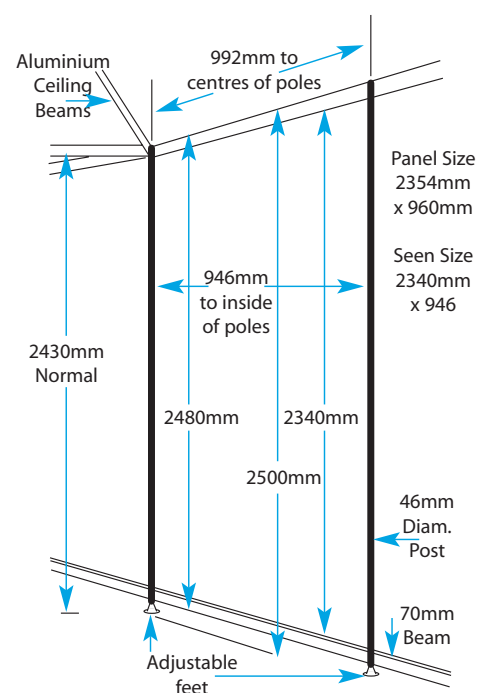


The illustration depicts typical sites. Check your own space allocation for dimensions, number and location of open frontages etc.

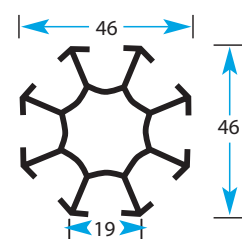
SHELL DIMENSIONS



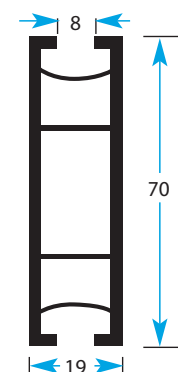
PANEL DIMENSIONS



POST SECTION

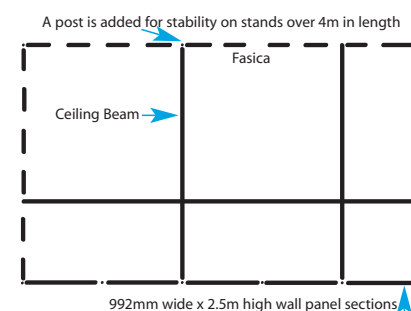
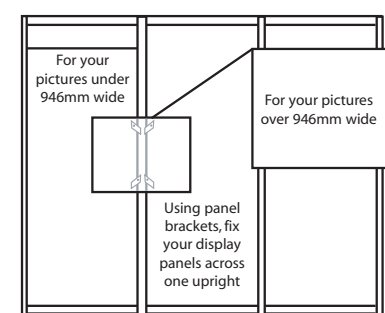


BEAM SECTION



* Cross section

POSTERS & PANELS



DO'S & DON'TS

We hope you find your shell scheme in order. Please observe the do's and don'ts associated with this system.

The use of the fixings below is strictly forbidden on this system:

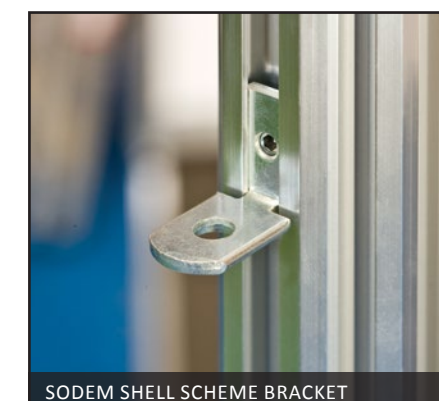
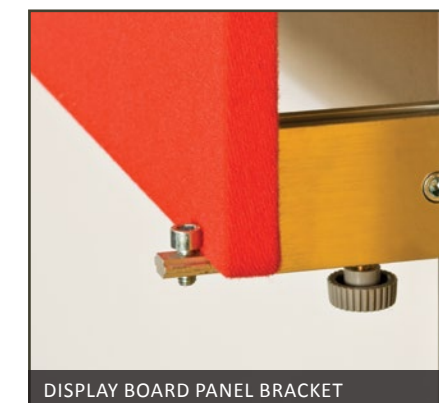


FIXING IS PERMITTED BY:

- Melamine/Vinyl Panels
 - Double sided tabs
 - Velcro hook and loop
 - Panel brackets
 - Hanging chains for heavy exhibits
- Loop Nylon Panels
 - Velcro hook
 - Panel brackets
 - Hanging chains for heavy exhibits

FAQ

- Q. I missed the deadline date on the order forms; will there be a charge?
 A. Deadlines are shown to encourage exhibitors to reply early. Surcharges will be applied to electrical orders only after this date (except late exhibitors). Furniture orders should be made as early as possible due to stock levels. Place any other orders (name panels, shell scheme extras, etc) as soon as possible.
- Q. Do I have to have the Fascia and Grid Ceiling?
 A. No. Please contact our ServiCentre if you would like them to be removed, however if a wall is over 4000mm in length and doesn't back onto another shell scheme, bracing may be needed for stability.
- Q. What do I need to order to create a storage area in the corner of my stand?
 A. To create a 1000mm wide x 1000mm deep store you will need to select at least 1 x wall panel (WP) and 1 x Lockable Door Section (EWD) or Entrance Way Curtain (EWC) on the order form (shell scheme only). This depends on the number of open sides you have.
- Q. If I want to change the colour of the wall panels, what are the options?
 A. Shell scheme walls are usually white PVC but there is the option of covering the panel with Display Loop Nylon (Velcro Compatible) or X-film (Vinyl Covering) on one side before the panel is set into the framework.
- Q. How do I calculate how many panels I have on my stand?
 A. Shell scheme walling is made up of 1000mm wide x 2500mm high sections. Therefore, if your stand has a back and sidewall (a corner plot) and the stand size is 4000mm x 4000mm you have 8 panels.
- Q. I would like to cover the shell scheme panel with my own graphics, what is the size of the wall panel?
 A. The visible panel size is 946mm wide x 2340mm high.
- Q. What is the visible size of half a metre wide panel?
 A. The visible area is 450mm wide x 2340mm high.
- Q. I have lightweight posters or pictures, how do I fix these to the wall panels?
 A. Velcro or sticky pads are the best options, (blue-tack doesn't work) these can be purchased from our Service Desk during the exhibition.
- Q. I have heavy panels, how do I fix these to the shell scheme?
 A. Under 992mm wide: using brackets fixed into the upright grooves across 1 support pole, or hook and chain. Over 1000mm wide: using brackets fixed into the upright grooves across 2 support poles. Panel brackets are available from our Service Desk during the exhibition.
- Q. I would like to drape the interior of the shell scheme with a material such as muslin, how do I attach this?
 A. You will need to order muslin batten, we will then fix this onto the top of the framework - this can then be stapled to.
- Q. I would like to clad the interior of the shell scheme with foam board/chipboard, how do I calculate the measurements?
 A. Please call our ServiCentre if you require assistance. Alternatively, you can order chipboard from us for which the charges include installation.
- Q. I would like to change the colour of the carpet, what are the options?
 A. You can change the colour of the carpet to another colour in the same range for a small charge (providing we are the contractor) please contact our ServiCentre.
- Q. I cannot find exactly what I am looking for, do you hire out any other items?
 A. Please contact the ServiCentre with any requests and we will try our best to meet your requirements.



To order visit www.gesdashboard.co.uk or call our ServiCentre on +44 (0)2476 380 180

Please note: All measurements are in millimetres DIA = diameter D = depth H = height W = width SH = seat height L = length

To order visit www.gesdashboard.co.uk or call our ServiCentre on +44 (0)2476 380 180

Please note: All measurements are in millimetres DIA = diameter D = depth H = height W = width SH = seat height L = length